



D6R DOZER

COVERING S6X, S6T, S6Y, JEN, EMM, SSS, PPP, TTT

PARTS REFERENCE GUIDE

LET'S DO THE WORK.™



PROTECT YOUR INVESTMENT WITH GENUINE CAT® PARTS


Thank you for selecting the Cat® D6R Track Type Tractor.

This guide is designed to provide you with a quick reference for the parts and part numbers you need to keep your Cat Track Type Tractor running at peak efficiency. For an exhaustive view of all the parts options, please contact your dealer.

MAINTENANCE

Proactive preventative maintenance extends the life of your machine and protects your investment. Only Caterpillar knows Cat equipment's filtration and lubrication requirements and offers parts kits to match your machine's maintenance cycles.


SCHEDULED MAINTENANCE PARTS

	GREASES AND COOLANTS
	PLANNED MAINTENANCE KITS


REPLACEMENT PARTS

Proper maintenance minimizes the need for repair and replacement. In the event that replacement parts are required, the use of genuine Cat parts helps maximize machine performance and maintains high resale value.



WEAR PARTS

	PINS AND BEARINGS
	GROUND ENGAGING TOOLS
	UNDERCARRIAGE PARTS

OCCASIONAL REPAIR PARTS

	HYDRAULIC PARTS
	ENGINE AND POWERTRAIN PARTS

GREASES D6R

Previous Cat Product Name	STANDARD MAINTENANCE GREASES			GREASES FOR UNIQUE APPLICATIONS AND ENVIRONMENTS	
	Cat Ultra 5 Moly	Cat Ultra 5 Moly	Cat Advanced 3 Moly	Cat Desert Gold	Cat Multipurpose
Current Cat Product Name	Cat Extreme Application Grease 1	Cat Extreme Application Grease 2	Cat Prime Application Grease	Cat Extreme Application Grease – Desert	Cat Utility Grease
Grade (NLGI)	1	2	2	2	2
Melting point (deg C)	>260	>260	260	280	260
Ambient Temperature (deg C)	-35 to +40	-30 to +50	-20 to +40	-30 to +50	-30 to +40
Base Oil Type	Mineral	Mineral	Mineral	Mineral	Mineral
Cartridge (390 g / 14 oz)	452-5996	452-6001	452-6006	452-6016	452-6011
Plastic Pail (16 kg / 35 lb)	452-5999	452-6004	452-6009	452-6019	452-6014
Keg (55 kg / 120 lb)	452-5998	452-6003	452-6008	452-6018	452-6013
					

Our greases are designed to get the longest life, unmatched moisture resistance, lowest component wear and best corrosion protection for your application.

COOLANTS D6R

CAT ELC® PREMIX LOWERS MAINTENANCE COSTS AND ENSURES EXTENDED LIFE COOLANT			CAT ELC® EXTENDER ENSURES EXTENDED LIFE COOLANT PERFORMANCE		COOLING CONDITIONER FOR ALUMINUM COMPONENTS
5 liters	20 liters	210 liters	0.9 liter	3.8 liters	74 ml
205-6611	205-6612	205-6613	119-5152	210-0786	369-0805
					

Up to 12,000-hour (or 6-year) drain interval with an addition of Cat Extender at 6,000-hours and yearly S•O•SSM coolant sampling analysis.

PLANNED MAINTENANCE KITS D6R

DOZER		A											
		Engine Oil Filter		Fuel Filter		Air Filter		Transmission Filter		Hydraulic Filter (Steering Charge)			
Sales Model	Prefix	Filter Element Assembly	Oil Qty (L) DEO-ULS™	Primary Element	Secondary Element	Primary Element	Secondary Element	Filter Element	Seal	Steering Filter Element	Filter Element Case	Seal O-Ring	Seal O-Ring
D6R	S6X	1R-1808	28	326-1644	1R-0762	6I-2501	6I-2502 (if required)	328-3655	3J-1907	-	(2) 1R-0777	(2) 6V-9633	(2) 8F-9206
	S6T												
	S6Y												
	JEN												
	EMM			438-5386									
	SSS												
	PPP												
	TTT												

PARTS MAINTENANCE KITS			
500	A		
1000	A	B	
1500	A		
2000	A	B	C
2500	A		
3000	A	B	
3500	A		
4000	A	B	C
4500	A		
5000	A	B	
5500	A		
6000	A	B	C

DOZER		B						C			
		Cabin Air		Air Filter		Transmission	Transmission Oil Change	AC Receiver	Crankcase	System Oil Change	Final Drive Oil Change (Each)
Sales Model	Prefix	Recirculating Element	Fresh Air Element	Primary Element	Secondary Element	Breather	Oil Qty (L)	Dryer	Engine Breather Element	Oil Qty (L)	Oil Qty (L)
D6R	S6X	6T-5068	6T-0988	6I-2501	6I-2502	9G-5127	146	3E-3535	160-00526	81	13.5
	S6T										
	S6Y										
	JEN										
	EMM										
	SSS										
	PPP										
	TTT										

LINKAGE PIN PART NUMBERS

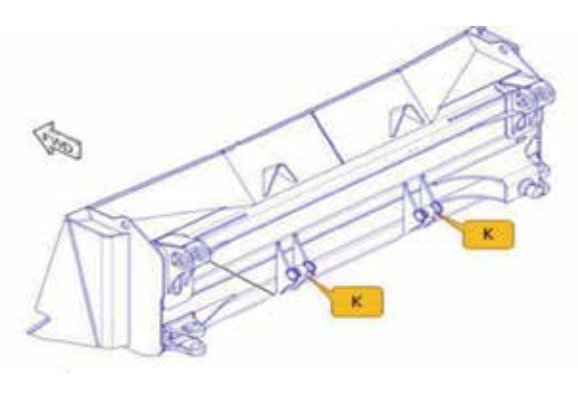
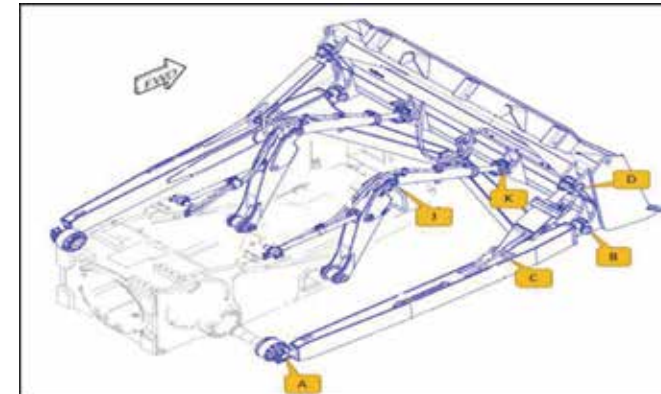
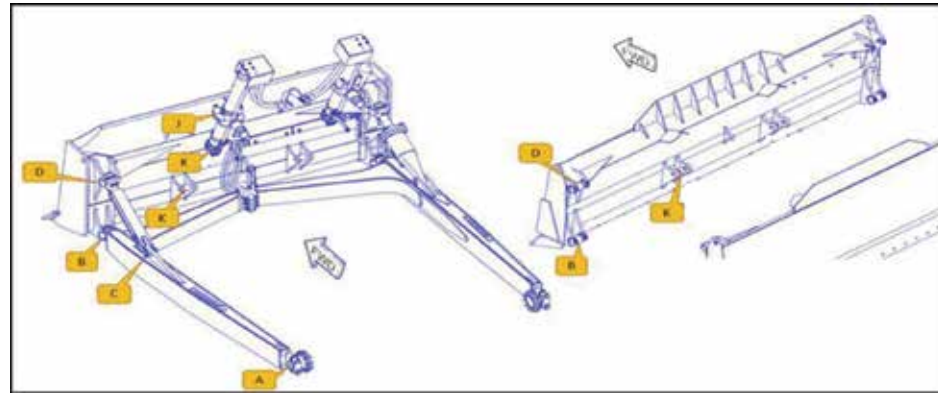
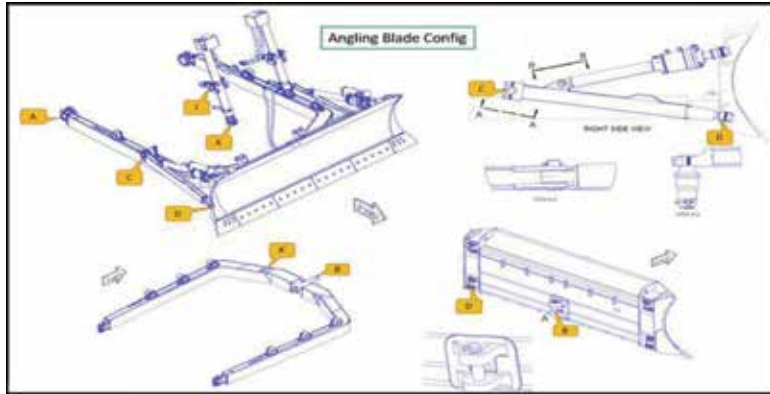
Sales Model	Prefix	Ripper - Fixed Parallelogram					
		AA	BB	CC	DD	EE	FF
D6R	S6X	(2) 1U-0159 Pin	(2) 1U-0159 Pin	3K-8510 Pin	(2) 4K-3004 Trunnion-Bearing	(2) 1U-0612 Pin	(2) 9J-9598 Pin
	S6T						(2) 1U-0612 Pin
	S6Y						(2) 1U-0612 Pin
	EMM						(2) 9J-9598 Pin
	JEN						(2) 1U-0612 Pin
	SSS						
	TTT						
	PPP						

BEARING & BUSHING PART NUMBERS

Sales Model	Prefix	Ripper - Fixed Parallelogram						
		AA	BB	CC	DD	EE	FF	
D6R	S6X	(2) 9W-0099 Bushing	(2) 9W-0099 Bushing	2K-4507 Bushing	(2) 4K-3128 Bushing	(2) 3G-2579 Bearing	(2) 9W-0876 Bushing	
	S6T	(2) 3G-2580 Bearing	(2) 3G-2580 Bearing				(2) 3G-2579 Bearing	(2) 3G-2579 Bearing
	S6Y							
	EMM							
	JEN							
	SSS							
	TTT							
	PPP							

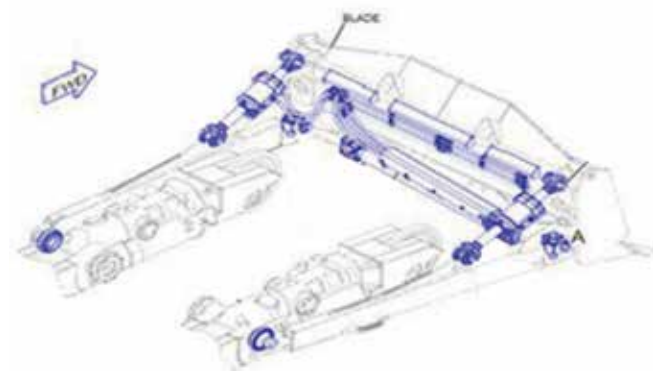
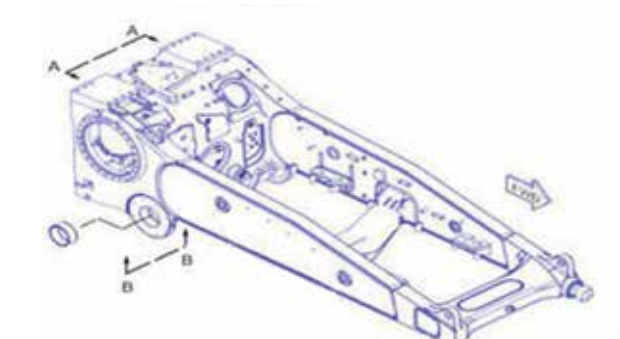


DOZER - STRAIGHT/SEMI UNIVERSE



LINKAGE PIN PART NUMBERS

Sales Model	Prefix	Blade - L Shaped					
		A	B	C	D	J	K
D6R	S6X	2x 285-0852_Trunnion	2x 4J-1641_Trunnion	2x 290-8226_Pin	2x 7J-5131_Trunnion	2x 9T-8958_Trunnion	2x 4T-1504_Trunnion
	S6T						
	S6Y						
	EMM						
	JEN						
	SSS						
	TTT	2x 285-0852_Trunnion	2x 4J-1641_Trunnion	2x 290-8226_Pin	2x 7J-5131_Trunnion		
	2x 205-8493_Trunnion As	2x 184-4527_Pin As	2x 8Y-7028_pin As	2x 8Y-7028_pin As			
PPP	2x 285-0852_Trunnion	2x 4J-1641_Trunnion	2x 290-8226_Pin	2x 7J-5131_Trunnion			






BEARING & BUSHING PART NUMBERS

Sales Model	Prefix	Blade - L Shaped					
		A	B	C	D	J	K
D6R	S6X	2x 179-6152 Bearing 2x 160-6305 Cap Assembly-Bearing	2x 179-6153_Bearing 2x 8J-2880_Cap-Bearing	2J-8489_Bearing (RH)	2x 8J-2880_Cap-Bearing	4x 4J-6374_Bushing 4x 3G-9402_Bearing	2x 4J-0121_Cap-Bearing
	S6T						
	S6Y						
	EMM						
	JEN						
	SSS						
	TTT	2x 179-6152 Bearing 2x 160-6305 Cap Assembly-Bearing	2x 4V-8639_Bearing	2J-8489_Bearing (RH)	2x 8J-2880_Cap-Bearing		
	2x 1J-6740 Bearing 2x 6F-7523 Cap-Bearing	2x 179-6153_Bearing 2x 8J-2880_Cap-Bearing	2x 7J-9699_Bearing(RH)	2x 7J-9699_Bearing			
PPP	2x 179-6152 Bearing 2x 160-6305 Cap Assembly-Bearing	2x 179-6153_Bearing 2x 8J-2880_Cap-Bearing	2J-8489_Bearing (RH)	2x 8J-2880_Cap-Bearing			

GROUND ENGAGING TOOLS D6R

BLADE END BITS AND CUTTING EDGES

Models	Type	End Bits	Edges	Hardware	
D6R Semi- Universal Blades	Blade Serial Number Prefix: 1TP, 3FP, 1WP, 3RP, 4AP, 8SP, BHM, D6C, P6A, D2S, MGH, D4S, C4N, C4L, JNE, KTL, GNH, EG2, RTE, RTF				
		General Duty	6Y-4411 (RH) 6Y-4410 (LH)	6Y-3840 (2x)	Bolts: 5J-4773 Nuts: 2J-3506 Washers: 5P-8248 Quantity: 28
		Level Cut	9W-8874 (RH) 9W-8875 (LH)	9W-1878 (2x)	
	Performance	479-8137 (RH) 479-8138 (LH)	479-8139 (RH) 479-8140 (LH) 479-8141 (CT)		



SAFER, SIMPLER INSTALLATION
Threaded holes allow easier handling of edges at first install or during rotation to wear opposite edge.

MINIMAL THROW AWAY – Multiple edge sections allow you to rotate or replace only the worn areas.

IMPROVED PRODUCTIVITY – Broad offerings allow you to have both end bit penetration and long cutting edge life, resulting in less maintenance.

RIPPER SHANKS

Sales Model	Serial Number Prefix	Tip Size	Shank Type	Part Number	Field Repair	
					Adapter	Nose
D6R	S6X, S6T, S6Y, JEN, EMM	R350 CR350	Straight	484-8282	9W-7488	8E-7350
			Curved	9J-8923*		



*No accommodations for shank protector.

RIPPER TIPS

Sales Model	Serial Number Prefix	Tip Size	Type	Style	Tips	Hardware	
D6R	S6X, S6T, S6Y, JEN, EMM	R350	Pin-on	Centerline	6Y-0352	Pin Retainer	114-0358 114-0359
				A.R.M.	159-0355		
				Penetration	6Y-0359		
				A.R.M.	159-0356		
		CR350	CapSure™	Centerline	472-0824	Pin Kit	473-3816
				Penetration	472-0825		



HAMMERLESS DESIGN – Allows pin reuse on R style adapters. Fast, easy removal and installation. Reduces risk of injury.

ABRASION RESISTANT MATERIAL (A.R.M.) – Additional hard tungsten carbide coating that extends wear life and lowers cost per hour.

RIPPER SHANK PROTECTORS

Sales Model	Serial Number Prefix	Shank Width	Type	Standard	Sharp	Hardware		Quantity
D6R	S6X, S6T, S6Y, JEN, EMM	75 mm	Pin-on	138-0796	–	Pin Retainer	114-0358 114-0359	1 1
			CapSure™	–	472-0827	Pin Kit	473-3816	1

SHARPENED HARDENED PROFILE – Cuts through tough and compact materials, causing lower ripping resistance and less horsepower loss.

EXTENDED PROTECTORS – Offer 60% more coverage.

MAJOR COMPONENTS

Item	Prefix	Standard	Reman
Implement Pump	S6X, S6T, S6Y, JEN, EMM	227-0830	20R-1850
	SSS, TTT, PPP	476-6616	20R-6857
Steering Pump	S6X, S6T, S6Y, JEN, EMM	227-0830	20R-1850
	SSS, TTT, PPP	433-9811	20R-6862
Steering Motor	S6X, S6T, S6Y, JEN, EMM	159-7156	0R-4611
	SSS, TTT, PPP	325-9776	20R-6867
Steering Motor - Bearing Kit	All	171-5989	–
Transmission Pump	S6X, S6T, S6Y, JEN, EMM	318-0691	20R-7459
	SSS, TTT, PPP	420-0748	–
SU Blade Lift Cylinder - Cylinder	All	227-0844	–
SU Blade Lift Cylinder - Rod Assembly	All	364-4115	0R-8928
SU Blade Lift Cylinder - Cylinder	All	229-2626	–
Ripper Lift Cylinder - Cylinder	All	384-5351	–
Ripper Lift Cylinder - Rod Assembly	All	384-8725	–
Ripper Lift Cylinder - Seal Kit	All	539-6777	–
Engine	All	C9	–
Starter Motor	S6X, S6T, S6Y, JEN, EMM	338-3454	10R-9815
	SSS, TTT, PPP	349-6530	20R-1312
Alternator - STD	S6X, S6T, S6Y, JEN, EMM	185-5294	10R-9788
	SSS, TTT, PPP	226-7683	10R-9095
Alternator - Heavy Duty	S6X, S6T, S6Y, JEN, EMM	249-0313	10R-9097
	SSS, TTT, PPP	272-1889	20R-0053
Water Pump	All	350-2536	20R-0259
Turbocharger	All	252-5165	10R-3749
Fuel Pump	All	476-8769	20R-1636
Fuel Injector	All	387-9434	10R-7221
Transmission	S6X, S6T, S6Y, JEN, EMM	–	–
	SSS, TTT, PPP	417-8819 (Tier 3) 417-8818 (Tier 2)	–
Transmission - Overhaul Gasket Kit	S6X, S6T, S6Y, JEN, EMM	473-7185	–
	SSS, TTT, PPP	539-0567	–
Transmission - Overhaul Bearing Kit	S6X, S6T, S6Y, JEN, EMM	473-7184	–
	SSS, TTT, PPP	539-0565	–
Torque Converter	S6X, S6T, S6Y, JEN, EMM	317-7051	–
	SSS, TTT, PPP	338-0944 (Tier 3) 317-7051 (Tier 2)	–
Torque Converter - Overhaul Gasket Kit	All	473-9071	–
Torque Converter - Overhaul Bearing Kit	All	473-9030	–
Final Drive	All	260-6650 (XL) 265-2299 (LPG)	–
Heavy Duty Premium High Output Battery	All	(2) 153-5710	–

UNDERCARRIAGE

	Link Assemblies		
	39 Sections STD	41 Sections XL/XW	45 Section LGP
General Duty	391-3928	396-9703	391-3925
Heavy Duty	424-0842	424-0844	424-0847

	Track Group							
	STD 24" (610 mm)	XL/XW 22" (560 mm) Moderate Service	XL/XW 22" (560 mm) Extreme Service	XL/XW 24" (610 mm) Moderate Service	XL/XW 24" (610 mm) Extreme Service	XL/XW 30" (760 mm) Moderate Service	LGP 36" (915 mm) Moderate Service	LGP 36" (915 mm) Extreme Service
General Duty	391-3927	-	-	396-9704	-	419-4806	391-3924	-
Heavy Duty	-	385-2672	385-2675	385-2678	385-2681	385-5453	385-7739	208-1508

	Rollers			Sprocket Segments	Idlers	
	Single Flange	Double Flange	Carrier	Tough Steel - 5 Teeth	Small Diameter (XR/LGP)	Large Diameter (STD/XL/XW)
General Duty	396-7353	398-5218	-	398-0972	395-4326	395-4325
Heavy Duty	288-0934	288-0935	235-5974	173-0946	202-4296	202-4304





Cat Filters Provide Longer Injector Life

Chances are, you don't skip oil changes or regular maintenance on the family car. So why skip planned maintenance on your Cat equipment? Cat fuel filters outperform the competition, with up to 45% longer injector life and up to 80% decreased cost per hour.*



Productivity & Hydraulics Go Hand In Hand

If your hydraulic system isn't performing at peak efficiency, it's robbing your machine of performance. Efficiency losses usually occur slowly and can reach 20% before you detect a problem — that's one day of lost production every week! These losses can also increase your fuel consumption and operating costs.



Need help?

Your local Cat dealer can provide:

- Technical Support
- Customer Value Agreements
- Oil sample analysis
- Parts needed and equipment fit
- Repair financing
- Rental Services

Find your local dealer at www.cat.com today.



LET'S DO THE WORK.™



To buy Cat parts online, visit Parts.cat.com if you have a dealer account or MyParts.cat.com (US only) if you don't yet have an account.

* Visit <https://www.cat.com/filtersandfluids> for more details

