



D8R DOZER

COVERING 9EM, T5X, RJM, MEJ, JR8, DWJ

PARTS REFERENCE GUIDE

LET'S DO THE WORK.™



PROTECT YOUR INVESTMENT WITH GENUINE CAT® PARTS

Thank you for selecting the Cat® D8R Dozer.

This guide is designed to provide you with a quick reference for the parts and part numbers you need to keep your Cat D8 Dozer running at peak efficiency.




MAINTENANCE

Proactive preventative maintenance extends the life of your machine and protects your investment. Only Caterpillar knows Cat equipment's filtration and lubrication requirements and offers parts kits to match your machine's maintenance cycles.



SCHEDULED MAINTENANCE PARTS	
	GREASES
	PLANNED MAINTENANCE KITS

REPLACEMENT PARTS

Proper maintenance minimizes the need for repair and replacement. In the event that replacement parts are required, the use of genuine Cat parts helps maximize machine performance and maintains high resale value.

WEAR PARTS	
	PINS AND BEARINGS
	GROUND ENGAGING TOOLS
	UNDERCARRIAGE
REPAIR PARTS	
	MAJOR COMPONENTS
	ENGINE AND ENGINE RELATED COMPONENTS
COMMON REPAIR PARTS	
	CAB RELATED
	MIRRORS & LIGHTS
	OTHER MISCELLANEOUS

GREASES D8R

Previous Cat Product Name	STANDARD MAINTENANCE GREASES			GREASES FOR UNIQUE APPLICATIONS AND ENVIRONMENTS	
	Cat Ultra 5 Moly	Cat Ultra 5 Moly	Cat Advanced 3 Moly	Cat Desert Gold	Cat Multipurpose
Current Cat Product Name	Cat Extreme Application Grease 1	Cat Extreme Application Grease 2	Cat Prime Application Grease	Cat Extreme Application Grease – Desert	Cat Utility Grease
Grade (NLGI)	1	2	2	2	2
Melting point (deg C)	>260	>260	260	280	260
Ambient Temperature (deg C)	-35 to +40	-30 to +50	-20 to +40	-30 to +50	-30 to +40
Base Oil Type	Mineral	Mineral	Mineral	Mineral	Mineral
Cartridge (390 g / 14 oz)	452-5996	452-6001	452-6006	452-6016	452-6011
Plastic Pail (16 kg / 35 lb)	452-5999	452-6004	452-6009	452-6019	452-6014
Keg (55 kg / 120 lb)	452-5998	452-6003	452-6008	452-6018	452-6013
					

Our greases are designed to get the longest life, unmatched moisture resistance, lowest component wear and best corrosion protection for your application.

COOLANTS D8R

CAT ELC® PREMIX LOWERS MAINTENANCE COSTS AND ENSURES EXTENDED LIFE COOLANT			CAT ELC® EXTENDER ENSURES EXTENDED LIFE COOLANT PERFORMANCE		COOLING CONDITIONER FOR ALUMINUM COMPONENTS
5 liters	20 liters	210 liters	0.9 liter	3.8 liters	74 ml
205-6611	205-6612	205-6613	119-5152	210-0786	369-0805
					

Up to 12,000-hour (or 6-year) drain interval with an addition of Cat Extender at 6,000-hours and yearly S•O•SSM coolant sampling analysis.

PLANNED MAINTENANCE KITS D8R

DOZER		A		B													
		Engine Oil Filter Change		Engine Oil Filter Change		Fuel Filter Change		Air Filter		Transmission Filter Change		Hydraulic Filter Change (Steering Charge)					
Sales Model	Prefix	Element	Oil Qty (L) DEO-ULS™	Element	Oil Qty (L) DEO-ULS™	Primary Element	Secondary Element	Primary Element	Secondary Element (if required)	Filter Element	Seal	Steering Filter Element	Seal O-Ring / Gasket	Filter Element Case	Seal O-Ring	Seal-O-Ring	
D8R	9EM	1R-1808	42	–	–	326-1642	1R-0749	6I-2505	6I-2506	132-8875	2S-8439	132-8875	2S-8439	1R-0735	5H-6733	7D-1195	
	T5X	1R-1808	42	–	–	326-1642	1R-0749	6I-2505	6I-2506	132-8875	2S-8439	132-8875	2S-8439	1R-0735	5H-6733	7D-1195	
	RJM	1R-1808	42	–	–	326-1642	1R-0749	6I-2505	6I-2506	337-5270	095-1678	465-6506	–	1R-0777	5H-6733	7D-1195	
	MEJ	1R-1808	42	–	–	326-1642	1R-0749	6I-2505	6I-2506	337-5270	095-1678	465-6506	–	1R-0777	5H-6733	7D-1195	
	JR8	–	–	–	1R-1808	43	326-1643	(2) 1R-0749	6I-2505	6I-2506	337-5270	095-1678	225-4118	–	–	–	–
	DWJ	–	–	–	1R-1808	43	326-1643	(2) 1R-0749	6I-2505	6I-2506	337-5270	095-1678	225-4118	–	–	–	–

DOZER		C						D			
		Cabin Air		Air Filter		Transmission	Transmission Oil Change	AC Receiver	Crankcase	Hydraulic System Oil Change	Final Drive Oil Change (Each)
Sales Model	Prefix	Recirculating Element	Fresh Air Element	Primary Element	Secondary Element	Breather	Oil Qty (L)	Dryer	Engine Breather Element	Oil Qty (L)	Oil Qty (L)
D8R	9EM	6T-5068	6T-0988	6I-2505	6I-2506	9G-5127	170	3E-3535	4N-4668	120	12
	T5X	6T-5068	6T-0988	6I-2505	6I-2506	9G-5127	170	3E-3535	4N-4668	120	12
	RJM	112-7448	396-7087	6I-2505	6I-2506	9G-5127	170	106-5534	4N-4668	120	12
	MEJ	112-7448	396-7087	6I-2505	6I-2506	9G-5127	170	106-5534	4N-4668	120	12
	JR8	112-7448	396-7087	6I-2505	6I-2506	9G-5127	155	106-5534	4N-4668	132	12.5
	DWJ	112-7448	396-7087	6I-2505	6I-2506	9G-5127	155	106-5534	4N-4668	132	12.5

		PARTS MAINTENANCE KITS			
MACHINE HOURS	250	A			
	500	A	B		
	750	A			
	1000	A	B	C	
	1250	A			
	1500	A	B		
	1750	A			
	2000	A	B	C	D
	2250	A			
	2500	A	B		
	2750	A			
	3000	A	B	C	
3250	A				
3500	A	B			
3750	A				
4000	A	B	C	D	

LINKAGE PIN PART NUMBERS

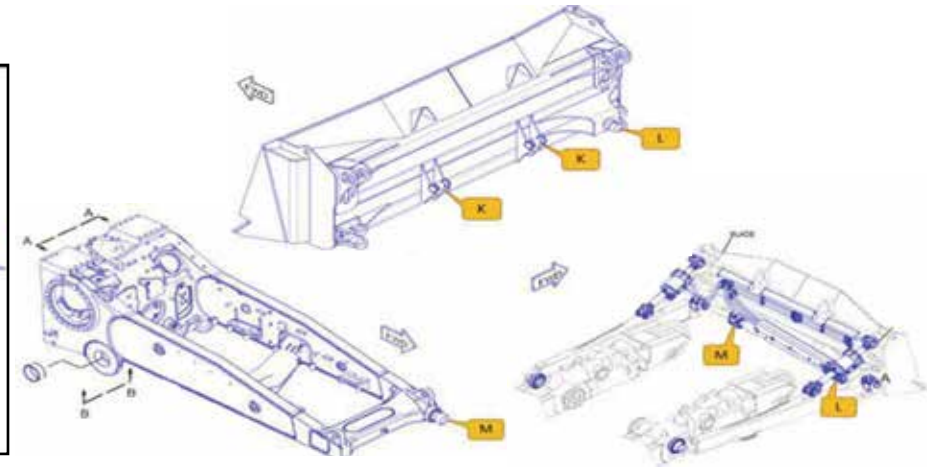
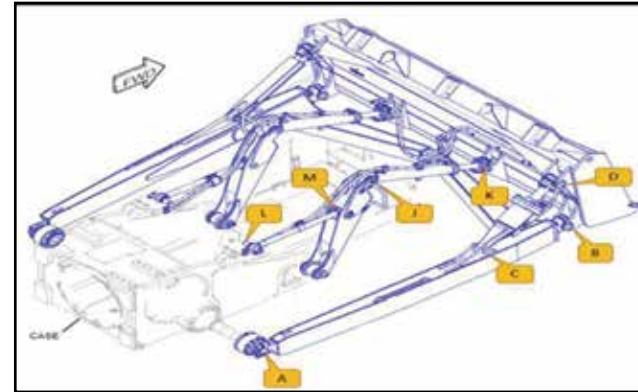
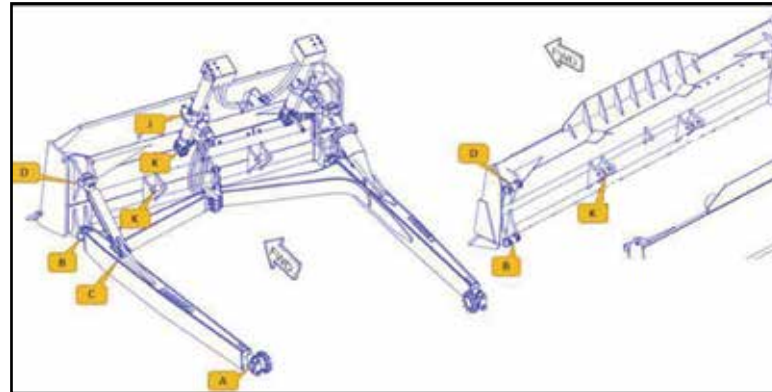
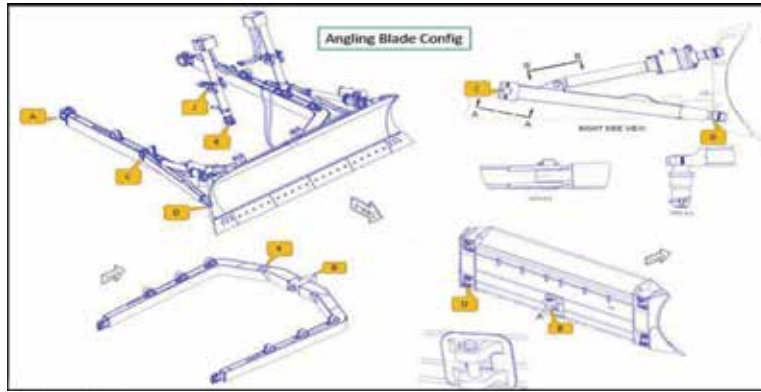
Sales Model	Prefix	Ripper - Fixed Parallelogram					
		AA	BB	CC	DD	EE	FF
D8R	9EM, 7XM	(2) 4T-1389 Pin Assembly	(2) 6J-9482 Pin Assembly	(2) 162-0390 Pin	(2) 1U-0990 Pin	(2) 1U-0990 Pin	(2) 132-7994 Pin Assembly
			(2) 4T-1389 Pin Assembly	(2) 9W-7991 Pin	(2) 4T-0203 Pin Assembly		(2) 4T-0203 Pin Assembly
	T5X	(2) 4T-1389 Pin Assembly	(2) 6J-9482 Pin Assembly	(2) 162-0390 Pin	(2) 1U-0990 Pin	(2) 1U-0990 Pin	(2) 132-7994 Pin Assembly
			(2) 4T-1389 Pin Assembly				(2) 4T-0203 Pin Assembly
	RJM, MEJ	(2) 4T-1389 Pin Assembly	(2) 6J-9482 Pin Assembly	(2) 162-0390 Pin	(2) 1U-0990 Pin	(2) 1U-0990 Pin	(2) 132-7994 Pin Assembly
			(2) 4T-1389 Pin Assembly				
	JR8, DWJ	(2) 4T-1389 Pin Assembly	(2) 6J-9482 Pin Assembly	(2) 162-0390 Pin	(2) 1U-0990 Pin	(2) 1U-0990 Pin	(2) 132-7994 Pin Assembly

BEARING & BUSHING PART NUMBERS

Sales Model	Prefix	Ripper - Fixed Parallelogram					
		AA	BB	CC	DD	EE	FF
D8R	9EM, 7XM	(4) 7T-3746 Bushing	(4) 4T-9751 Bushing	(2) 3G-5999 Bushing	(2) 3G-5999 Bushing	(2) 3G-5999 Bushing	(2) 3G-5999 Bushing
			(4) 7T-3746 Bushing				
	T5X	(4) 7T-3746 Bushing	(4) 4T-9751 Bushing	(2) 3G-5999 Bushing	(2) 3G-5999 Bushing	(2) 3G-5999 Bushing	(2) 3G-5999 Bushing
			(4) 7T-3746 Bushing				
	RJM, MEJ	(4) 7T-3746 Bushing	(4) 4T-9751 Bushing	(2) 3G-5999 Bushing	(2) 3G-5999 Bushing	(2) 3G-5999 Bushing	(2) 3G-5999 Bushing
			(4) 7T-3746 Bushing				
	JR8, DWJ	(4) 7T-3746 Bushing	(4) 4T-9751 Bushing	(2) 3G-5999 Bushing	(2) 3G-5999 Bushing	(2) 3G-5999 Bushing	(2) 3G-5999 Bushing



DOZER - STRAIGHT/SEMI UNIVERSE



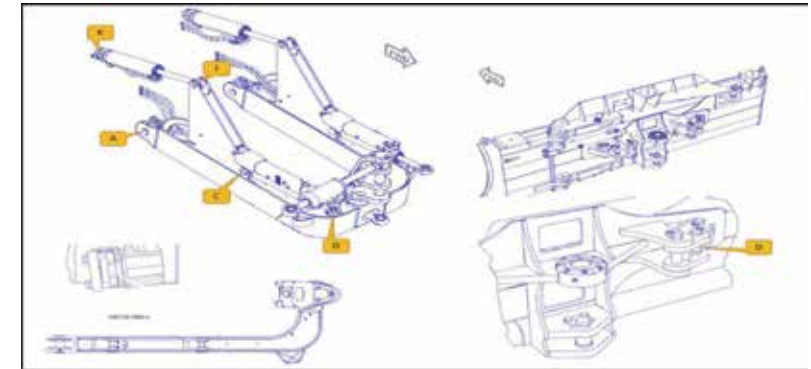
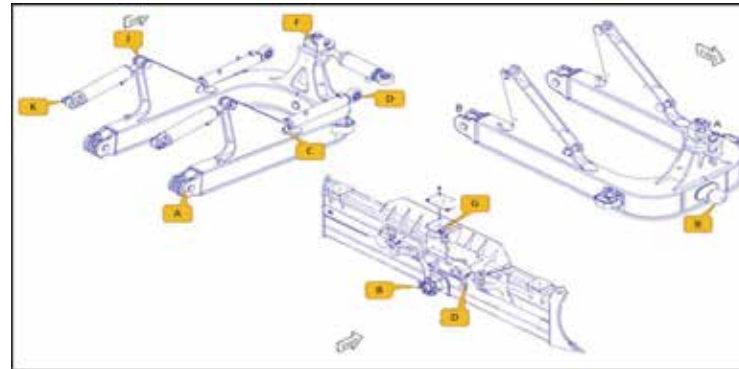
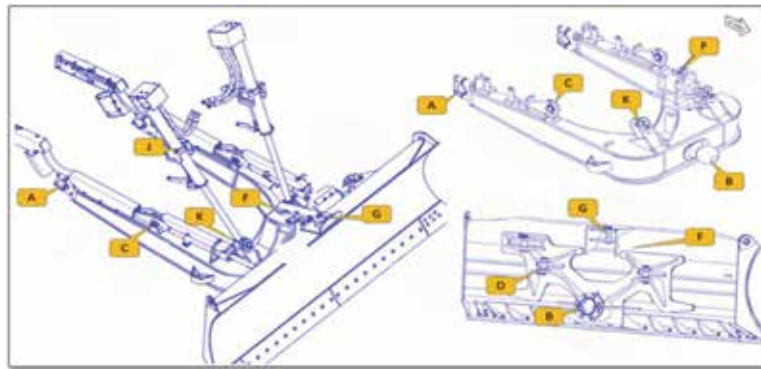
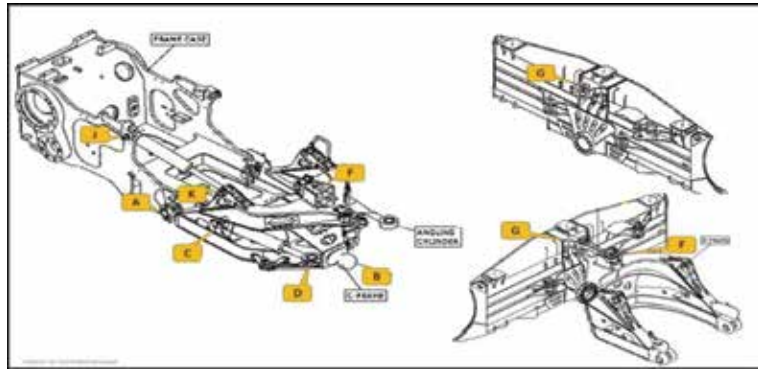
LINKAGE PIN PART NUMBERS

Sales Model	Prefix	Blade - L Shaped							
		A	B	C	D	J	K	L	M
D8R	9EM, 7XM	(2) 524-4892 Trunnion	(4) 4T-7534 Pin	3G-7016 Pin (RH) 239-9940 Pin (LH)	(2) 1U-2472 Pin	238-8637 Cylinder Assembly	(2) 9J-0123 Trunnion	110-2966 Trunnion	110-3292 Trunnion
				(2) 3G-7016 Pin		6E-1103 Cylinder Assembly		110-4206 Trunnion	
	T5X	(2) 524-4892 Trunnion	(4) 4T-7534 Pin	3G-7016 Pin (RH) 239-9940 Pin (LH)	(2) 1U-2472 Pin	238-8637 Cylinder Assembly	(2) 9J-0123 Trunnion	110-2966 Trunnion	110-3292 Trunnion
				(2) 3G-7016 Pin					
	RJM, MEJ	(2) 524-4892 Trunnion	(4) 4T-7534 Pin	3G-7016 Pin (RH) 239-9940 Pin (LH)	(2) 1U-2472 Pin	238-8637 Cylinder Assembly	(2) 9J-0123 Trunnion	110-2966 Trunnion	110-3292 Trunnion
				(2) 3G-7016 Pin					
	JR8, DWJ	(2) 524-4892 Trunnion	(4) 4T-7534 Pin	3G-7016 Pin (RH) 239-9940 Pin (LH)	(2) 1U-2472 Pin	238-8637 Cylinder Assembly	(2) 9J-0123 Trunnion	110-2966 Trunnion	110-3292 Trunnion
				(2) 3G-7016 Pin					

BEARING & BUSHING PART NUMBERS

Sales Model	Prefix	Blade - L Shaped							
		A	B	C	D	J	K	L	M
D8R	9EM, 7XM	(2) 193-3063 Cap Bearing (2) 1J-6740 Bearing	8x 8E-6752 Bushing (4) 3G-9598 Bushing	2) 1U-2182 Bushing (RH)	(2) 7J-3297 Bearing	4) 6E-1108 Bushing (4) 104-1844 Bushing	2) 160-6310 Cap Bearing	160-6307 Cap Bearing 6I-8676 Bearing	160-6307 Cap Bearing 6I-8676 Bearing
				(4) 1U-2182 Bushing		3G-0910 Cap Bearing			
	T5X	(2) 193-3063 Cap Bearing (2) 1J-6740 Bearing	8x 8E-6752 Bushing (4) 3G-9598 Bushing	2) 1U-2182 Bushing (RH)	(2) 7J-3297 Bearing	4) 6E-1108 Bushing (4) 104-1844 Bushing	2) 160-6310 Cap Bearing	160-6307 Cap Bearing 6I-8676 Bearing	160-6307 Cap Bearing 6I-8676 Bearing
				(4) 1U-2182 Bushing					
	RJM, MEJ	(2) 193-3063 Cap Bearing (2) 1J-6740 Bearing	8x 8E-6752 Bushing (4) 3G-9598 Bushing	2) 1U-2182 Bushing (RH)	(2) 7J-3297 Bearing	4) 6E-1108 Bushing (4) 104-1844 Bushing	2) 160-6310 Cap Bearing	160-6307 Cap Bearing 6I-8676 Bearing	160-6307 Cap Bearing 6I-8676 Bearing
				(4) 1U-2182 Bushing					
	JR8, DWJ	(2) 193-3063 Cap Bearing (2) 1J-6740 Bearing	8x 8E-6752 Bushing (4) 3G-9598 Bushing	2) 1U-2182 Bushing (RH)	(2) 7J-3297 Bearing	4) 6E-1108 Bushing (4) 104-1844 Bushing	2) 160-6310 Cap Bearing	160-6307 Cap Bearing 6I-8676 Bearing	160-6307 Cap Bearing 6I-8676 Bearing
				(4) 1U-2182 Bushing					

DOZER - VPAT/ANGLING



LINKAGE PIN PART NUMBERS




Sales Model	Prefix	VPAT Vertical Lift Cylinders								Equalizer Bar	
		A	B	C	D	F	G	J	K	A (Ebar Center)	B (Ebar Outer)
D8R	9EM, 7XM	(2) 524-4892 Trunnion Assembly	159-8807 Pin	(2) 158-3653 Pin	(2) 6J-3774 Pin	(2) 3G-7016 Pin	(2) 163-5778 Trunnion	238-8637 Cylinder Assembly	(2) 9J-0123 Trunnion	219-5743 Pin	(2) 219-5735 Pin
		(2) 524-4892 Trunnion Assembly	159-8807 Pin	(2) 158-3653 Pin	(2) 6J-3774 Pin	(2) 3G-7016 Pin	(2) 163-5778 Trunnion	6E-1103 Cylinder Assembly		6Y-3545 Pin	(2) 7T-4865 Pin
	T5X	(2) 524-4892 Trunnion Assembly	159-8807 Pin	(2) 158-3653 Pin	(2) 6J-3774 Pin	(2) 3G-7016 Pin	(2) 163-5778 Trunnion	238-8637 Cylinder Assembly	(2) 9J-0123 Trunnion	219-5743 Pin	(2) 219-5735 Pin
	RJM, MEJ	(2) 524-4892 Trunnion Assembly	159-8807 Pin	(2) 158-3653 Pin	(2) 6J-3774 Pin	(2) 3G-7016 Pin	(2) 163-5778 Trunnion	238-8637 Cylinder Assembly	(2) 9J-0123 Trunnion	219-5743 Pin	(2) 219-5735 Pin
	JR8, DWJ	—	—	—	—	—	—	—	—	219-5743 Pin	(2) 219-5735 Pin

BEARING & BUSHING PART NUMBERS

Sales Model	Prefix	VPAT Vertical Lift Cylinders								Equalizer Bar	
		A	B	C	D	F	G	J	K	A (Ebar Center)	B (Ebar Outer)
D8R	9EM, 7XM	(2) 193-3063 Cap Assembly Bearing (2) 1J-6744 Bearing	—	(2) 3J-5190 Cap Bearing (2) 156-4127 Bearing	(2) 7T-9147 Bearing	(4) 1U-2182 Bushing	(2) 160-6309 Cap Bearing	(4) 6E-1108 Bushing (4) 104-1844 Bushing	(2) 160-6310 Cap Bearing	(2) 130-3139 Bushing	(2) 117-4013 Bushing
		(2) 193-3063 Cap Assembly Bearing (2) 1J-6744 Bearing	—	(2) 3J-5190 Cap Bearing (2) 156-4127 Bearing	(2) 7T-9147 Bearing	(4) 1U-2182 Bushing	(2) 160-6309 Cap Bearing	(4) 6E-1108 Bushing (4) 104-1844 Bushing	G-0910 Cap Bearing		
	T5X	(2) 193-3063 Cap Assembly Bearing (2) 1J-6744 Bearing	—	(2) 3J-5190 Cap Bearing (2) 156-4127 Bearing	(2) 7T-9147 Bearing	(4) 1U-2182 Bushing	(2) 160-6309 Cap Bearing	(4) 6E-1108 Bushing (4) 104-1844 Bushing	(2) 160-6310 Cap Bearing	(2) 130-3139 Bushing	(2) 117-4013 Bushing
	RJM, MEJ	(2) 193-3063 Cap Assembly Bearing (2) 1J-6744 Bearing	—	(2) 3J-5190 Cap Bearing (2) 156-4127 Bearing	(2) 7T-9147 Bearing	(4) 1U-2182 Bushing	(2) 160-6309 Cap Bearing	(4) 6E-1108 Bushing (4) 104-1844 Bushing	(2) 160-6310 Cap Bearing	(2) 130-3139 Bushing	(2) 117-4013 Bushing
	JR8, DWJ	—	—	—	—	—	—	—	—	(2) 130-3139 Bushing	(2) 117-4013 Bushing

GROUND ENGAGING TOOLS D8R

BLADE END BITS AND CUTTING EDGES

Models	Type	End Bits	Edges	Hardware	
D8R Semi-Universal Blades	Blade Serial Number Prefix: 1KH, 2PP, 2TP, 3MP, 3WH, 1HP, 6LH, 9BH, 9PH, 2NP, 05A, 9TP, BHW, B8S, DZA, DZX, DK2				
		General Duty	8E-4193 (RH) 8E-4194 (LH)	6Y-5540 (2x) 4T-6381	Bolts: 4J-9058 Nuts: 2J-3507 Washers: 5P-8250 Quantity: 33
		Level Cut	6Y-4277 (RH) 6Y-4278 (LH)	6Y-5540 (2x) 4T-6381	
	Performance	479-8129 (RH) 479-8130 (LH)	479-8131 (RH) 479-8132 (LH) 7T-9126 (CT)		



SAFER, SIMPLER INSTALLATION
Threaded holes allow easier handling of edges at first install or during rotation to wear opposite edge.

MINIMAL THROW AWAY – Multiple edge sections allow you to rotate or replace only the worn areas.

IMPROVED PRODUCTIVITY – Broad offerings allow you to have both end bit penetration and long cutting edge life, resulting in less maintenance.

RIPPER SHANKS

Sales Model	Serial Number Prefix	Tip Size	Shank Type	Part Number	Field Repair	
					Adapter	Nose
D8R	9EM, T5X, MEJ, RJM, DWJ, JR8	R450 CR450	Multi Shank	8E-5346	8E-8418	9U-9694
			Single Shank	8E-5347		
			Deep Rip	8E-5340		



RIPPER TIPS

Sales Model	Serial Number Prefix	Tip Size	Type	Style	Tips			Hardware	
					Short	Intermediate	Long		
D8R	9EM, T5X, MEJ, RJM, DWJ, JR8	R450	Pin-on	Centerline	9W-2451	9W-2452	114-0453	Pin Retainer	6Y-3394 8E-4743
				A.R.M.	–	8E-5770	–		
		CR450	CapSure™	Centerline	380-1218	380-1209	–	Pin Kit	380-1211
				A.R.M.	–	380-1225	–		

HAMMERLESS DESIGN – Allows pin reuse on R style adapters. Fast, easy removal and installation. Reduces risk of injury.

ABRASION RESISTANT MATERIAL (A.R.M.) – Additional hard tungsten carbide coating that extends wear life and lowers cost per hour.

RIPPER SHANK PROTECTORS

Sales Model	Serial Number Prefix	Shank Width	Type	Standard	Sharp	Extended	Hardware		Quantity
D8R	9EM, T5X, MEJ, RJM, DWJ, JR8	75 mm	Pin-on	6J-8814	8E-1848	132-4716	Pin Retainer	6Y-3394 8E-4743	2 2
			CapSure™	–	380-1214	380-1223	Upper Lower Pin Kit	380-1211 380-1222	1 1

SHARPENED HARDENED PROFILE – Cuts through tough and compact materials, causing lower ripping resistance and less horsepower loss.

EXTENDED PROTECTORS – Offer 60% more coverage.

MAJOR COMPONENTS

Item	Prefix	Standard	Reman
Engine	9EM, T5X	3406C	–
	MEJ, RJM	3406C	–
	DWJ, JR8	C15	–
Starter Motor	9EM, T5X	338-3454	10R-9815
	MEJ, RJM	338-3454	10R-9815
	DWJ, JR8	349-6350	20R-1312
Alternator	9EM, T5X	177-9953	10R-9790
	MEJ, RJM	197-8820	10R-9789
	DWJ, JR8	249-0313	10R-9097
Water Pump	9EM, T5X	352-0203	10R-0482
	MEJ, RJM	352-0203	10R-0482
	DWJ, JR8	352-0211	10R-0484
Turbocharger	9EM, T5X	179-5922	0R-9899
	MEJ, RJM	179-5922	0R-9899
	DWJ, JR8	483-0845	–
Fuel Pump	9EM, T5X	1W-1700	0R-3008
	MEJ, RJM	1W-1700	0R-3008
	DWJ, JR8	384-8612	20R-1525
Fuel Injector	9EM, T5X	129-1351	0R-9943
	MEJ, RJM	129-1351	0R-9943
	DWJ, JR8	355-6110	–
Transmission			
Transmission	9EM, T5X, MEJ, RJM	105-8185	0R-4049
	DWJ, JR8	384-4149	–
Overhaul Gasket Kit	9EM, T5X, MEJ, RJM	539-0024	–
	DWJ, JR8	539-0116	–
Overhaul Bearing Kit	9EM, T5X, MEJ, RJM	539-0026	–
	DWJ, JR8	539-0114	–
Torque Converter			
Torque Converter	9EM, T5X, MEJ, RJM	188-3865	0R-404
	DWJ, JR8	374-8376	20R-6120
Overhaul Gasket Kit	9EM, T5X, MEJ, RJM	478-7892	–
	DWJ, JR8	383-8111	–
Overhaul Bearing Kit	9EM, T5X, MEJ, RJM	478-7895	–
	DWJ, JR8	539-0523	–
Final Drive	9EM, T5X, MEJ, RJM	336-5750	0R-2310
	DWJ, JR8	336-5750	0R-2310
Batteries - Heavy Duty Premium High Output	9EM, T5X, MEJ, RJM	115-2421	–
	DWJ, JR8	115-2421	–
Implement Pump	9EM, T5X, MEJ, RJM	9T-8346	0R-8503
	DWJ, JR8	495-7571	–
Steering Pump	9EM, T5X, MEJ, RJM	421-1808	0R-4612
	DWJ, JR8	325-9788	20R-7025
Steering Motor			
Motor	9EM, T5X, MEJ, RJM	159-7162	0R-4613
	DWJ, JR8	252-5127	10R-4579

MAJOR COMPONENTS			
Item	Prefix	Standard	Reman
Steering Motor (cont'd)			
Bearing Kit	9EM, T5X, MEJ, RJM	171-5989	–
	DWJ, JR8	171-5989	–
Transmission Pump	9EM, T5X, MEJ, RJM	374-1605	10R-3428
	DWJ, JR8	477-9824	–
SU-Blade Lift Cylinder			
Cylinder	9EM, T5X, MEJ, RJM	250-5861	–
	DWJ, JR8	250-5861	–
Rod Assembly	9EM, T5X, MEJ, RJM	6E-1111	0R-8922
	DWJ, JR8	6E-1111	0R-8922
Seal Kit	9EM, T5X, MEJ, RJM	319-3557	–
	DWJ, JR8	319-3557	–
Ripper Lift Cylinder			
Cylinder	9EM, T5X, MEJ, RJM	155-3653	–
	DWJ, JR8	155-3653	–
Rod Assembly	9EM, T5X, MEJ, RJM	9T-0584	0R-3082
	DWJ, JR8	9T-0584	0R-3082
Seal Kit	9EM, T5X, MEJ, RJM	244-2067	–
	DWJ, JR8	244-2067	–
Ripper Tilt Cylinder			
Cylinder	9EM, T5X, MEJ, RJM	165-0102 (RH) 155-3652 (LH)	–
	DWJ, JR8	165-0102 (RH) 155-3652 (LH)	–
Rod Assembly	9EM, T5X, MEJ, RJM	9T-0098	0R-3080
	DWJ, JR8	9T-0098	0R-3080
Seal Kit	9EM, T5X, MEJ, RJM	244-2050	–
	DWJ, JR8	244-2050	–

MIRRORS & LIGHTS

Description	Prefix	Part Number
Lamp Gp - Flood, Ripper	ALL	147-0319
Lamp GP - Flood Rear	ALL	219-6485
Lamp GP - Flood Service	ALL	219-6487
Lamp GP - Flood LED	ALL	383-8634
Lamp Halogen Bulb	ALL	351-9918
Lamp Dome	ALL	7N-9943
Mirror - Rear-view	ALL	5P-6874

OTHER MISCELLANEOUS

Description	Prefix	Part Number
Cap Assembly - Fuel	ALL	349-7059
Camera	ALL	459-1800
Padlock	ALL	246-2641

UNDERCARRIAGE

	Link Assemblies	Track Group					
	44 Sections	22" (560 mm) Extreme Service	24" (610 mm) Extreme Service	24" (610 mm) Trapexoidal Extreme Service	24" (610 mm) Super Extreme Service	26" (660 mm) Extreme Service	28" (710 mm) Extreme Service
General Duty	391-3968	391-3968	–	–	–	–	391-3970
Heavy Duty	272-6009	384-2954	384-2960	384-2962	384-2964	384-2968	–

	Rollers			Sprocket Segments	Idlers	
	Single Flange	Double Flange	Carrier	Tough Steel - 5 Teeth	Rear - Small Diameter	Front - Large Diameter
General Duty	419-7172	–	419-7172	397-9557	415-6134	415-6132
Heavy Duty	246-0775	246-0779	246-0775	314-5462	111-1729	111-1730

CAB RELATED

Description	Prefix	Part Number
Glass (Door) Single Pane	ALL	379-6657
Glass (Door) Dual Pane	ALL	389-0855 (LH)
		389-0856 (RH)
Glass (Front) Single Pane	ALL	383-6864
Glass (Front) Dual Pane	ALL	390-3151
Glass (Rear) Single Pane	ALL	383-6865
Glass (Rear) Dual Pane	ALL	390-3154
Glass (LH Side-Sliding) Single Pane	ALL	447-0316
Glass (LH Side-Fixed) Single Pane	ALL	447-0307
Glass (LH Side-Fixed) Dual Pane	ALL	390-3152
Glass (RH Side-Sliding) Single Pane	ALL	447-0310
Glass (RH Side-Fixed) Single Pane	ALL	447-0301
Glass (RH Side-Fixed) Dual Pane	ALL	390-3153
Radio - AM/FM	ALL	462-9619
Radio Antenna	ALL	8E-1118
Seat Belt	ALL	381-4538
Wiper Blade Assembly (Doors)	ALL	6V-5849 or 8C-5060 (Kit Contains 2 Blades)
Wiper Blade Assembly (Front)	ALL	
Wiper (Rear)	ALL	146-6433



Cat Filters Provide Longer Injector Life

Chances are, you don't skip oil changes or regular maintenance on the family car. So why skip planned maintenance on your Cat equipment? Cat fuel filters outperform the competition, with up to 45% longer injector life and up to 80% decreased cost per hour.*



Productivity & Hydraulics Go Hand In Hand

If your hydraulic system isn't performing at peak efficiency, it's robbing your machine of performance. Efficiency losses usually occur slowly and can reach 20% before you detect a problem — that's one day of lost production every week! These losses can also increase your fuel consumption and operating costs.



Need help?

Your local Cat dealer can provide:

- Technical Support
- Customer Value Agreements
- Oil sample analysis
- Parts needed and equipment fit
- Repair financing
- Rental Services

Find your local dealer at www.cat.com today.



LET'S DO THE WORK.™



To buy Cat parts online, visit Parts.cat.com if you have a dealer account or MyParts.cat.com (US only) if you don't yet have an account.

* Visit <https://www.cat.com/filtersandfluids> for more details

